



## **Installation, Operation & Diagnostics**

**for the**

### **MIU/PowerPort Series**

**2.4 / 9.6 / 14.4 / 28.8**



**Raymar Information Technology, Inc.**

7325 Roseville Road  
Sacramento, CA 95842  
800-695-1951  
Fax: 916-783-1952

The products and programs described in this User's Guide are licensed products of Raymar-Telenetics. This User's Guide contains proprietary information protected by copyright, and this User's Guide and all accompanying hardware and documentation are copyrighted.

Raymar-Telenetics does not warrant that the hardware will work properly in all environments and applications, and makes no warranty and representation, either implied or expressed, with respect to the quality, performance, merchantability, or fitness for a particular purpose.

Information in this User's Guide is subject to change without notice and does not represent a commitment on the part of Raymar-Telenetics. Raymar-Telenetics assumes no responsibility for any inaccuracies that may be contained in this User's Guide.

Raymar-Telenetics makes no commitment to update or keep current the information in this User's Guide, and reserves the right to make changes to this User's Guide and/or product without notice.

No part of this manual may be reproduced or transmitted in any form or by any means, electronic or mechanical, including photocopying, recording, or information storage and retrieval systems, for any purpose other than the purchaser's personal use, without the express written permission of Raymar-Telenetics.

© Copyright 2010 Raymar Information Technology, Inc.  
7325 Roseville Road  
Sacramento, California 95842  
Tel: 800-695-1951 Direct: +1-916-783-1951  
Fax: 916-783-1952  
Web site: [www.raymarinc.com](http://www.raymarinc.com)

## TABLE of CONTENTS

1. STANDARDS .....	Page 1
2. PRODUCT OVERVIEW .....	Page 2
3. GENERAL PRODUCT SPECIFICATIONS.....	Page 3
4. POWER MODES .....	Page 4
5. MODEM SPECIFICATIONS.....	Page 5
6. POWER CONNECTIONS.....	Page 6
7. SERIAL DATA PORT PIN-OUTS .....	Page 7
8. DIP SWITCH SETTINGS .....	Page 8
9. LED INDICATOR .....	Page 8
10.AUTO RESET FEATURE.....	Page 8
11.AUTO DIAL FEATURE .....	Page 8
12.OUTLINE DRAWING & MOUNTING .....	Page 9
13.MODEM CONFIGURATION.....	Page 10
14.FACTORY CONFIGURTION .....	Page 11
15.DIAGNOSTICS .....	Page 15

## 1. STANDARDS

All Raymar-Telenetics dial-up modems are designed to meet the following Standards:

USA: FCC Part 15, Class A and Part 68

Canada: DOC Standards CS-01, CS-02 and CS-03

### **CANADIAN DEPARTMENT OF COMMUNICATIONS NOTICE**

The Canadian Department of Communications (DOC) label identifies certified equipment. This certification means that the equipment meets certain telecommunications network protective, operational and safety requirements. The department does not guarantee the equipment will operate to the user's satisfaction.

Before installing this equipment, make sure you are permitted to connect it to the facilities of the local telecommunications company. You must install the equipment using an acceptable method of connection. In some cases you may also extend the company's inside wiring for single line individual service by means of certified connector assembly (telephone extension cord). You should be aware, however, that compliance with the above conditions may not prevent degradation of service in some situations.

Repairs to certified equipment should be made by an authorized Canadian maintenance facility designed by the supplier. Any repairs or alterations made by a user to this equipment, or equipment malfunctions, may give the telephone communications company cause to request the user to disconnect the equipment.

For your own protection, make sure that the electrical ground connections of the power utility, telephone lines and internal metallic water pipe system, if present, are connected together. This precaution may be particularly important in rural areas.

Caution: Do not attempt to make electrical ground connections yourself, contact the appropriate electric inspection authority or an electrician.

NOTICE: The load number (LN) assigned to each terminal device denotes the percentage of the total load to the telephone loop used by the device, to prevent overloading. The termination on a loop may consist of any combination of devices, subject to the requirement that the total of the load numbers of all the devices does not exceed 100.

## 2. PRODUCT OVERVIEW

The **MIUPowerPortX.X** Series are industrial grade dial and leased line modems for connection to the Public Switched Telephone Network. They can be powered from a wide range of AC and DC power supplies, they are internally surge protected on both the power and analog lines, and they will operate in temperatures from -40 to +85° C.

Internally, each unit consists of a **baseboard** and a **communication module**. The **baseboard** includes the power supply regulation and surge protection. The **communication module** is a Raymar-Telenetics™ **Pony Express™** Dial Modem Module.

The MIU PowerPort is packaged specifically for the harsh environments found in utility substations, industrial facilities and remote sites. Though functionally similar to commercial modems, the MIU PowerPort includes special features that make it particularly well suited for utility and industrial applications.

**Environment:** The MIU PowerPort has been designed specifically for use in harsh environments. In addition to an extended temperature range (-40 to +85° C), the MIU includes surge, shock, vibration, and safety features superior to those of conventional commercial modems.

**Power Supply:** The MIU PowerPort can be powered from a range of AC and DC power sources: +5 VDC, 12 VDC Battery, 7 to 16 VAC or 8 to 16 VDC. An optional 120 VAC wall transformer is available from Raymar-Telenetics.

**Low Power:** The MIU PowerPort dial modems can be configured to enter into a “power down” mode. In this mode, an MIU PowerPort will consume only a small fraction of its active power while waiting for either controller or telephone line activity.

**Industrial:** The MIU PowerPort is packaged in a rugged, compact, non-metallic (ABS) enclosure. Designed for unmanned locations, the MIUs do not include the array of pushbuttons and LEDs normally associated with consumer-type modems to increase reliability and decrease power consumption. Configuration is by dip switches and/or software (“AT”) commands. Standard industrial connectors for data, analog and power interfaces allow reliable interconnection to other industrial components.

### 3. GENERAL PRODUCT SPECIFICATIONS

**Dimensions:** 5.3 x 4.0 x 1.375 inches

**Weight:** 1 lb.

**Voltage Supply:** 8 to 24 VDC  
7 to 16 VAC, 50/60 Hz

Optional Wall Transformer: 115 VAC, 50/60 Hz

**Current Requirements:** (See Section 4 for Power Down Modes)

**MIU PowerPort 2.4:**

9VDC	12VDC	24VDC	5VDC (Pin 10, DTE Port)	9VAC
58.6mA	60.6mA	46.0mA	138mA	67.4mA

**MIU PowerPort 9.6:**

9VDC	12VDC	24VDC	5VDC (Pin 10, DTE Port)	9VAC
80.6mA	84.7mA	84.0mA	182mA	69.4mA

**MIU1 PowerPort 14.4:**

9VDC	12VDC	24VDC	5VDC (Pin 10, DTE Port)	9VAC
128mA	107mA	91.4mA	239mA	165mA

**MIU PowerPort 28.8:**

9VDC	12VDC	24VDC	5VDC (Pin 10, DTE Port)	9VAC
149mA	171mA	104mA	243mA	193mA

Surge Protection:	Power Supply:	8kVrms
	Analog Line:	5kVAC (MIU2.4 & 9.6)

Digital Line:	ESD ± 10kV
---------------	------------

Operating Temperature: -40 to +85° C

Operating Humidity: 0 to 90% (non-condensing)

Storage Temperature: -55 to +100° C

\*NOTE: At temperatures below 0° F, an additional current drain of up to 350mA occurs as the internal proportional heater operates.

## 4. POWER MODES

Mode	Description	Power Consumption
<b>Power On</b>	<b>Factory Setting:</b> Full power is always available to the modem.	See Section 3
<b>Sleep</b>	<p>If the modem is on hook for a predetermined period (PE2400 = 5 seconds; PE2496, PE14.4 &amp; PE28.8 = software configured: Set S24 to desired delay in seconds), it will drop to a low current mode).</p> <p>The modem will instantly “wake up” to full power by either an incoming ring signal or any transmit data (TxD) signal.</p>	Approx. 6mA
<b>Power Down</b>	<p>If the modem is on hook for 30 seconds, it will automatically turn “off”.</p> <p>The modem will automatically turn “on” to full power within 400ms of receiving a DTR signal or an incoming call.</p>	Approx. 20 $\mu$ A

The power mode is set by a dip switch on the Pony Express Modem Module inside the MIU case. Factory default is Power On mode. Other modes are set at the factory before shipment if requested. Other modes can be set in the field ~ call Raymar-Telenetics for an instruction sheet.



## 5. MODEM SPECIFICATIONS

	<b>MIU2.4</b>	<b>MIU9.6</b>	<b>MIU14.4</b>	<b>MIU28.8</b>
Standards	V.22bis V.22 Bell212A Bell 103	V.22bis V.22 Bell212A Bell 103	V.32bis V.32 V.22bis V.22 Bell212A Bell 103	V.34 V.32bis V.32 V.22bis V.22 Bell212A Bell 103
Modem Line Speed (Asynch)	2400bps 1200bps 300bps	2400bps 1200bps 300bps	14400bps 9600bps 4800bps 2400bps 1200bps 300bps	28800bps 19200bps 14400bps 9600bps 4800bps 2400bps 1200bps 300bps
DTE Rates above Modem Line Speeds	-	19200bps 9600bps 4800bps	57600bps 38400bps 19200bps	115200bps 57600bps 38400bps 19200bps
Error Correction & Data Compression	-	MNP 2,3,5 & 10 V.42 V.42bis	MNP 2,3,5 & 10 V.42 V.42bis	MNP 2,3,5 & 10 V.42 V.42bis

## 6. POWER CONNECTIONS

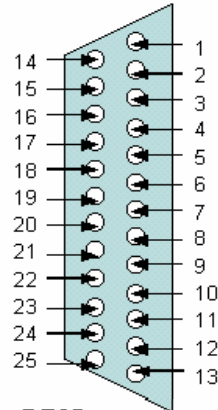
**DC Power Jack, 2.0mm** – This standard concentric jack is provided to attach an external power source in the range of 7 – 16 VAC or 8 – 24 VDC. The 2.0mm Jack connects through a full wave bridge so either polarity is acceptable from the DC source. The slide switch adjacent to the LED must be to the right side (Toward the 2.0mm Jack).

**DB25, Pin 10** – A DC voltage may be applied at the 25 pin data connector. DC only with the positive lead connected to pin 10, and the negative lead connected to Signal Ground on pin 7. This should be a regulated 5 VDC source. The slide switch adjacent to the LED must be to the left side (Away from the 2.0mm Jack). Internal jumper JP1 must be on pins 1-2.

## 7. SERIAL DATA PORT PIN-OUTS

RS232C is the most commonly used serial data interface and defines the Physical, Functional and Electrical boundaries between two or more communicating devices

~ D-SHAPED SERIAL PORT CONNECTORS ~  
are usually used to interconnect DTEs (computers, controllers, etc.) and DCEs (modems, converters, etc.)



**DB9**

**DB25**

Pin	Signal	Pin	Source
1	CD - Carrier Detect	8	MODEM
2	RXD - Receive Data	3	MODEM
3	TXD - Transmit Data	2	TERMINAL
4	DTR - Data Term'l Ready	20	TERMINAL
5	Signal Ground	7	N/A
6	DSR - Data Set Ready	6	MODEM
7	RTS - Ready to Send	4	TERMINAL
8	CTS - Clear to Send	5	MODEM
9	RI - Ring Indication (Dial Modems Only)	22	MODEM

## 8. DIP SWITCH SETTINGS

Not Applicable – The dip switches are on the PE Module. Contact factory for non – standard settings.

\* NOTE: Opening the MIU for any reason voids the factory warranty.

## 9. LED INDICATOR

The MIU has a single LED that will indicate the following conditions...

- ▶ Blinking: POWER ON
- ▶ Steady: MODEM CONNECTED (CARRIER DETECT)

## 10. AUTO RESET FEATURE

The dial-up modem modules inside your MIU include an “Auto Reset” feature: If the modem configuration is lost for any reason, it can be restored by dialing the modem and allowing it to ring 4 to 6 times.

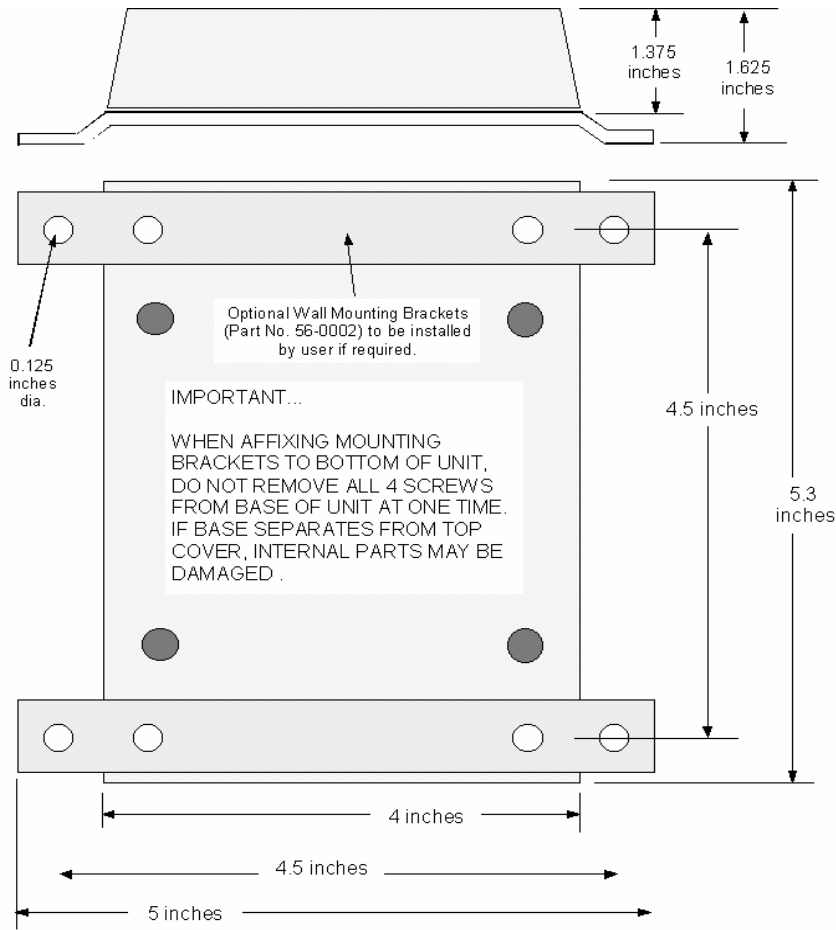
The Auto Reset feature is enabled and disabled by a dip switch on the modem module. Your MIU will have been shipped with the Auto Reset mode active, unless otherwise specified at the time of ordering. Please consult Raymar-Telenetics if you wish to open up your MIU to disable Auto Reset.

## 11. AUTO DIAL FEATURE

The dial-up modem modules inside your MIU include a software configured “Auto Dial” feature: Command AT\D1 will enable Auto Dial: When DTR goes from an OFF to ON condition, and \D1 is set, the modem will auto dial the phone number stored in location & Z0 (up to 45 digits).

Command \D0 (default) will disable the Auto Dial feature.

## 12. OUTLINE DRAWING & MOUNTING



Telenetics Corporation 1995

db | mydocs | manuals | miu mount 3/98

### Mounting Options:

Part Number	Description
MIU/MTGK	Surface Wall or Panel Mounting Kit
MIU/RAIL	MIU Din Rail Mounting Kit

## 16. MODEM CONFIGURATION

Raymar-Telenetics dial and leased line modems are based upon Rockwell chipsets. These chipsets contain Rockwell's "AT" command set.

A summary of the Rockwell command set for your MIU modem is provided in documents 0049-1204-XXX, 0049-1205-XXX and 0049-1206-XXX.

Unless otherwise specified at the time of order, your modem will have left the Raymar-Telenetics factory in the configuration detailed on the following pages.

The Raymar-Telenetics factory configuration differs from the Rockwell default configuration as follows:

&C0	Rockwell Default	Carrier Detect (CD) always ON.
&C1	Raymar-Telenetics Factory	Carrier Detect (CD) only ON when modem connected (on hook)

S0=0	Rockwell Default	Auto-Answer OFF
S0=1	Raymar-Telenetics Factory	Auto-Answer on first ring

You can review the configuration of your modem by entering AT&V <CR>.

You can restore the Rockwell factory configuration by entering AT&F&W.

## 14. FACTORY CONFIGURATION ~ MIU2.4

### ACTIVE PROFILE:

B1 E1 L2 M1 Q0 V1 X4 Y0 &C1 &D0 &G0 &J0 &L0 &P0 &Q0  
&R0 &S0 &X0 &Y0 S00:001 S01:000 S02:043 S03:013 S04:010  
S05:008 S06:002 S07:030 S08:002 S09:006 S10:014 S12:050  
S14:AAH S16:00H S S18:000 S21:00H S22:76H S23:15H S25:005  
S26:001 S27:40H S28:00H

### STORED PROFILE 0:

B1 E1 L2 M1 Q0 V1 X4 Y0 &C1 &D0 &G0 &J0 &L0 &P0 &Q0  
&R0 &S0 &X0 S00:001 S14:AAH S18:000 S21:00H S22:76H  
S23:17H S25:005 S26:001 S27:40H S28:00H

### STORED PROFILE 1:

B1 E1 L2 M1 Q0 V1 X4 Y0 &C0 &D0 &G0 &J0 &L0 &P0 &Q0  
&R0 &S0 &X0 S00:000 S14:AAH S18:000 S21:00H S22:76H  
S23:17H S25:005 S26:001 S27:40H S28:00H

### TELEPHONE NUMBERS

&Z0=

&Z1=

&Z2=

&Z3=

## FACTORY CONFIGURATION ~ MIU9.6

### ACTIVE PROFILE:

B1 E1 L1 M1 N1 Q0 T V1 W0 X4 Y0 &C1 &D2 &G0 &J0 &K3  
&Q5 &R1 &S0 &T5 &X0 &Y0 S00:001 S01:000 S02:043 S03:013  
S04:010 S05:008 S06:002 S07:050 S08:002 S09:006 S10:014  
S11:095 S12:050 S18:000 S25:005 S26:001 S36:007 S37:000  
S38:020 S44:020 S46:138 S48:007 S95:000

### STORED PROFILE 0:

B1 E1 L1 M1 N1 Q0 T V1 W0 X4 Y0 &C1 &D2 &G0 &J0 &K3  
&Q5 &R1 &S0 &T5 &X0 S00:001 S02:043 S06:002 S07:050  
S08:002 S09:006 S10:014 S11:095 S12:050 S18:000 S36:007  
S37:000 S40:168 S41:195 S46:138 S95:046

### STORED PROFILE 1:

B1 E1 L1 M1 N1 Q0 T V1 W0 X4 Y0 &C1 &D2 &G0 &J0 &K3  
&Q5 &R1 &S0 &T5 &X0 S00:001 S02:043 S06:002 S07:050  
S08:002 S09:006 S10:014 S11:095 S12:050 S18:000 S36:007  
S37:000 S40:168 S41:195 S46:138 S95:000

### TELEPHONE NUMBERS:

0= 1=  
2= 3=



## FACTORY CONFIGURATION ~ MIU14.4

### ACTIVE PROFILE:

B1 E1 L1 M1 N1 Q0 T V1 W0 X4 Y0 &C1 &D2 &G0 &J0 &K3  
&Q5 &R1 &S0 &T5 &X0 &Y0 S00:001 S01:000 S02:043 S03:013  
S04:010 S05:008 S06:002 S07:050 S08:002 S09:006 S10:014  
S11:095 S12:050 S18:000 S25:005 S26:001 S36:007 S37:000  
S38:020 S44:020 S46:138 S48:007 S95:000

### STORED PROFILE 0:

B1 E1 L1 M1 N1 Q0 T V1 W0 X4 Y0 &C1 &D2 &G0 &J0 &K3  
&Q5 &R1 &S0 &T5 &X0 S00:001 S02:043 S06:002 S07:050  
S08:002 S09:006 S10:014 S11:095 S12:050 S18:000 S36:007  
S37:000 S40:168 S41:195 S46:138 S95:046

### STORED PROFILE 1:

B1 E1 L1 M1 N1 Q0 T V1 W0 X4 Y0 &C1 &D2 &G0 &J0 &K3  
&Q5 &R1 &S0 &T5 &X0 S00:001 S02:043 S06:002 S07:050  
S08:002 S09:006 S10:014 S11:095 S12:050 S18:000 S36:007  
S37:000 S40:168 S41:195 S46:138 S95:000

### TELEPHONE NUMBERS:

0= 1=  
2= 3=

## FACTORY CONFIGURATION ~ MIU28.8

### ACTIVE PROFILE:

B0 E1 L1 M1 N1 Q0 T V1 W0 X4 Y0 &C1 &D0 &G2 &J0 &K3  
&Q5 &R1 &S0 &T4 &X0 &Y0 S00:001 S01:000 S02:043 S03:013  
S04:010 S05:008 S06:002 S07:030 S08:002 S09:006 S10:014  
S11:255 S12:050 S18:000 S25:005 S26:001 S36:007 S37:000  
S38:020 S46:138 S48:007 S95:000

### STORED PROFILE 0:

B0 E1 L1 M1 N1 Q0 T V1 W0 X4 Y0 &C1 &D0 &G2 &J0 &K3  
&Q5 &R1 &S0 &T4 &X0 S00:001 S02:043 S06:002 S07:030  
S08:002 S09:006 S10:014 S11:095 S12:050 S18:000 S36:007  
S37:000 S40:105 S41:003 S46:138 S95:000

### STORED PROFILE 1:

B0 E1 L1 M1 N1 Q0 T V1 W0 X4 Y0 &C1 &D0 &G2 &J0 &K3  
&Q5 &R1 &S0 &T4 &X0 S00:001 S02:043 S06:002 S07:030  
S08:002 S09:006 S10:014 S11:095 S12:050 S18:000 S36:007  
S37:000 S40:105 S41:003 S46:138 S95:000

### TELEPHONE NUMBERS:

0= 1=  
2= 3=

## 15. DIAGNOSTICS

The following pages provide software and hardware techniques for diagnosing communication problems and thereby isolating the problem at either the local modem, the remote modem or the interconnecting line.

The following AT&Tn commands form part of the CCITT V.54 protocol and can be used for diagnostic testing.

Note: &Tn commands can only be used when the modem is configured for &Q0 <CR> (unbuffered/direct asynchronous mode).

### **&T0 TERMINATE TEST IN PROGRESS**

If a V.54 loopback test is in progress as a result of executing an &Tn command, then the &T0 command will cause that test to be terminated, provided that the modem is in the command state or a V.54 state that accepts commands from the DTE. See specific &Tn command descriptions for termination actions.

### **&T1 INITIATE LOCAL ANALOG LOOPBACK (See Figure 2)**

When the AT&T1 command is entered, the modem goes on hook and configures itself for analog loopback. DSR is turned off (if &S1 is in effect), the analog loopback state is entered, and the test timer is set to the value in S18. A connect result code is sent to the DTE, and the test timer then begins its count down. The test terminates when the test timer expires. If S18 equals 0, then the test must be terminated by an &T0, H0, or Z command. While any command may be entered while the modem is in this test state, the modem response is not specified except for H0, &T0 and Z, any of which will terminate the test. Upon termination of the test, the modem enters the command state.

<b>RESULT CODE</b>	<b>DESCRIPTION</b>
CONNECT	When local analog loopback state is entered.
ERROR	If any other &Tn test is active (except &T0) or if in the on-line command state.
OK	After test is stopped by test timer, the H0 command, or the &T0 command.

## **&T2 NO FUNCTION**

## **&T3 PERFORM LOCAL DIGITAL LOOPBACK (See Figure 3)**

The modem must be in the command state with connection established when this command is issued, otherwise an ERROR result code occurs.

The AT&T3 command establishes a loopback of received data, after demodulation, and sends it back to the distant end. The modem is configured for local digital loopback, DSR is turned off (if &S1 is in effect), the test timer is started with the value in S18, and an OK result code is sent to the DTE. If S18 contains a 0, the test must be terminated by a &T0, H0, or Z command. The latter two result in the modem going on hook. If S18 does not contain 0, the test is terminated after the number of seconds stored in S18.

<b>RESULT CODE</b>	<b>DESCRIPTION</b>
--------------------	--------------------

OK	After 2 second delay
ERROR	If any other self test is active (&T1, &T6, &T7 or &T8) or if in idle state. When test is terminated.

## **&T4 GRANT REMOTE DIGITAL LOOPBACK (RDL) REQUESTS**

When in the on-line state, the modem will honor a remote digital loopback request from a distant modem if it occurs. This will result in an ERROR if the command is given while any V.54 test is active (&T1, &T3, &T6, &T7 or &T8).

NOTE: There are data patterns that may cause a Remote Digital Loopback conditions. Care should be given to the type of data being received so that no RDL modes will be initiated.

## **&T5 DENY RDL REQUESTS**

The modem will not respond to a remote digital loopback request from a distant modem. This will result in an error if the command is given while any V.54 test is active (&T1, &T3, &T6, &T7 or &T8).

## **&T6 INITIATE REMOTE DIGITAL LOOPBACK (See Figure 4)**

The command is valid only if the modem is in the command state with a connection established.

Configure the modem under test with an AT&T4 command so that it will honor a remote digital loopback request.

Enter AT&T6 at the local modem and it will send a remote digital loopback request to the remote modem. After the RDL acknowledgement signal is received from the remote modem, DSR is turned off (if &S1 is in effect), the on-line state is entered, a CONNECT result code is sent to the DTE, and the test timer is set to the value in S18.

If the local modem does not receive the RDL acknowledgement signal from the remote end in three seconds, it sends an ERROR result code to the DTE and returns to the command state. The local modem sends the signal to release the remote digital loopback when the test is terminated.

The test may be terminated by the H0, Z, or &T0 command. The test will also terminate when the test timer expires (sending the modem to the command state) or carrier is lost (causing a NO CARRIER result code and the modem to go on hook in the command state).

<b>RESULT CODE</b>	<b>DESCRIPTION</b>
CONNECT	When on-line state is entered.
ERROR	If any V.54 test is active (&T1, &T3, &T6-&T8).
ERROR	If not in on-line command state.
ERROR	If the RDL signal is not acknowledged.

## **&T7 INITIATE RDL WITH LOCAL SELF TEST (See Figure 5)**

This is a system test, end to end.

The command is valid only if the modems are in the command state with a connection established.

Configure the remote modem with an AT&T4 command so that it will honor a remote digital loopback request.

Enter AT&T7 at the local modem and it will send a digital loopback request to the remote modem. After the RDL acknowledgment signal is received from the remote modem, DSR is turned off (if &S1 is in effect), the on-line state is entered, an OK result code is sent to the DTE, and the test timer is set to the value in S18. While the test is active, the local modem sends a test message to the remote modem and counts the errors in the received (looped back) signal. The modems stay in the command state during the test. When the test is terminated (except by a loss of carrier), the local modem sends the release signal to the remote modem, as in &T6, and reports the three-digit error count to the DTE.

The information text is followed by an OK result code. The test is terminated by loss of carrier, or an H0, &T0, or Z command, and by the S18 timer running out.

<b>RESULT CODES</b>	<b>DESCRIPTION</b>
OK	When command executed is started.
OK	After error count is sent to DTE (&T1, &T3, &T6, &T7 or &T8).
ERROR	If not in on-line command state.
ERROR	If the RDL signal is not acknowledged.

### **&T8 LOCAL LOOPBACK WITH SELF TEST (See Figure 6)**

The modem should be on hook. Enter AT&T8 to configure the modem for analog loopback and self test. The test timer is started at the time indicated by S18, DSR is turned off (if &S1 is in effect). A self test condition is entered, and an OK result code is sent to the DTE. During the test the modem sends a test message and counts errors in the looped back signal. The test is terminated when the timer times out (S18) or the &T0, H0, or Z command is issued. When the test is terminated, the three digit error count is sent to the DTE. An OK result code follows the error count.

<b>RESULT CODE</b>	<b>DESCRIPTION</b>
OK	If a test state is entered.
OK	After error count is sent to DTE
ERROR	If any other V.54 test is active (&T1, &T3, &T6, &T7), or if on-line.

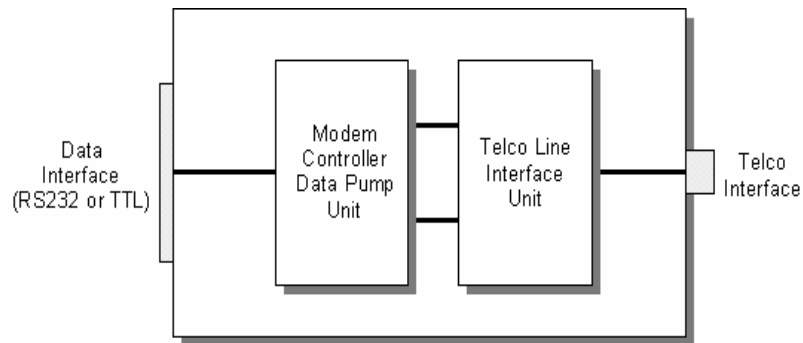


Figure 1 TYPICAL MODEM CONFIGURATION

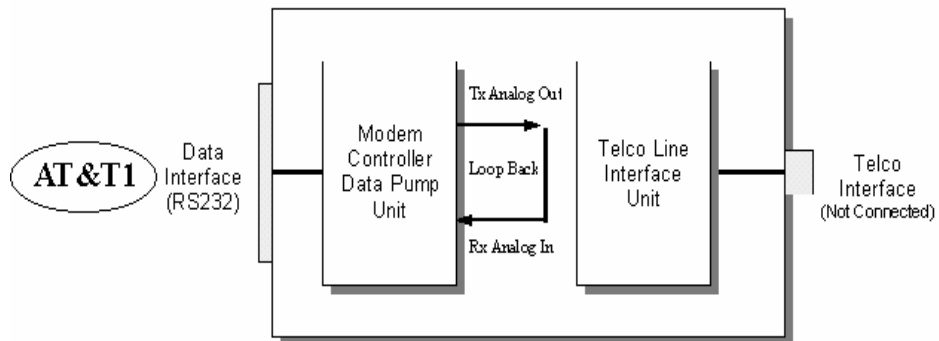


Figure 2 INITIATE LOCAL ANALOG LOOPBACK

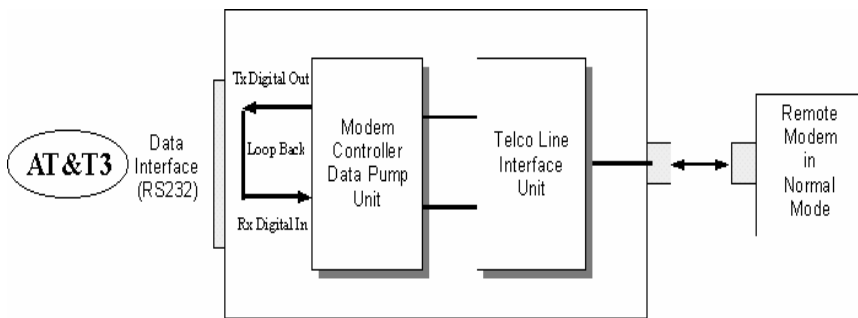


Figure 3 PERFORM LOCAL DIGITAL LOOPBACK

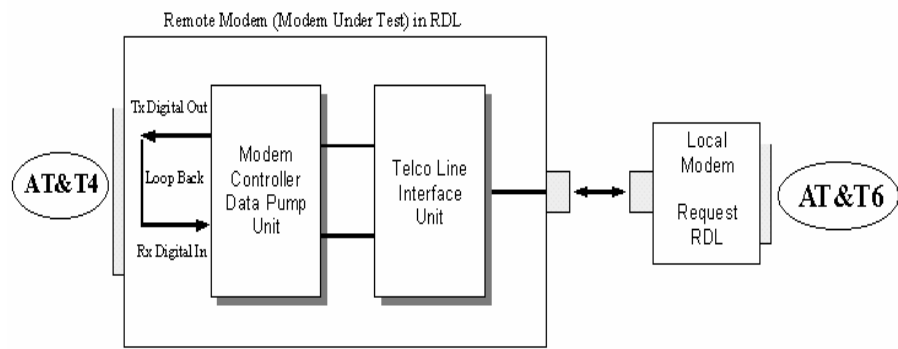


Figure 4 INITIATE REMOTE DIGITAL LOOPBACK



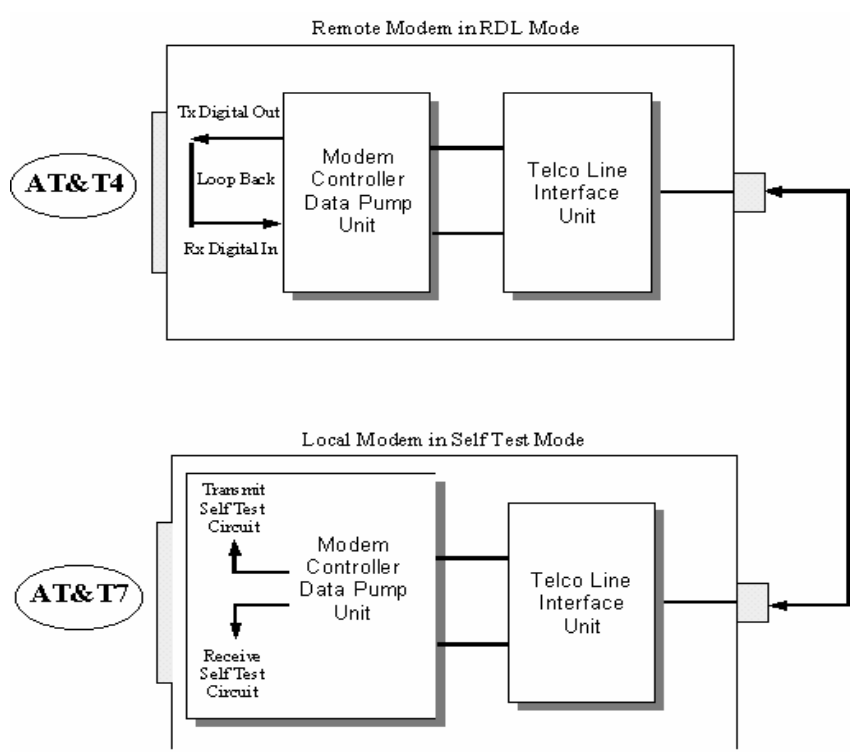


Figure 5 REMOTE DIGITAL LOOPBACK WITH LOCAL SELF TEST

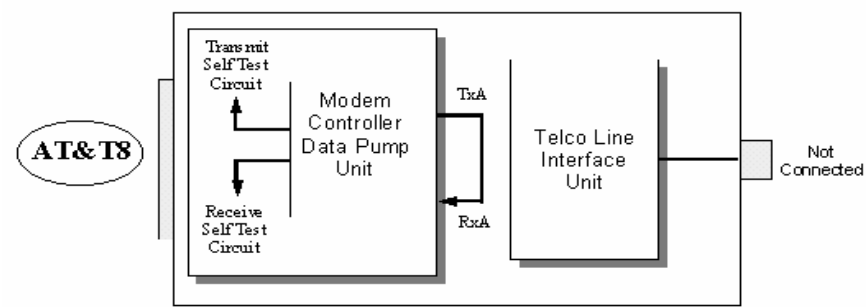


Figure 6 LOCAL ANALOG LOOPBACK WITH SELF TEST

## ADDITIONAL TEST / DIAGNOSTICS COMMANDS

### **%L RECEIVED SIGNAL LEVEL**

Returns a value (-dBm) which indicates the received signal level at modem DATA PUMP interface. This value is determined by the loss/gain of modem Telco Interface circuit  $\pm$ dB at the Tip/Ring input to the modem. Typical value should be -25dBm to -35dBm for most Telco connections.

### **%Q RECEIVED LINE SIGNAL QUALITY**

Reports the line signal quality at the modem DATA PUMP interface. This signal is also dependent on the DAA circuit (Telco Interface). Returns the higher order byte of the EQM (Eye Quality Monitor is the filter squared magnitude of the error vector). Typical value should be below 10. The lower the number, the better the performance from the modem.

ERROR response if NO connection to remote modem.

In &T1, modem %Q will be 0.

### **S86 CONNECTION FAILURE CAUSE**

S86 can help determine the cause of a connection failure. When the modem issues a NO CARRIER result code, a value is written to this register. To read this register, following the connection failure, issue AT\$S86? <CR>. The modem will report one of the following values:

- 0 Normal hang up; no error occurred.
- 4 Physical carrier loss. (Loss of Carrier)
- 5 Feature negotiation failed to detect presence of another V.42 error-control modem at other end.
- 6 Other error-control modem did not respond to feature negotiation message sent by this modem.
- 7 Other modem is synchronous-only; this modem is asynchronous-only.
- 8 Modems could not find a common framing technique.
- 9 Modems could not find a protocol in common.
- 10 Feature negotiation message sent by other modem incorrect.
- 11 Synchronous information (data of flags) not received from other modem.
- 12 Normal disconnect initiated by other modem.

- 13 Other modem did not respond after many transmissions of the same message. Modem made 10 attempts then hung up.
- 14 Protocol violation occurred.
- 15 Compression failure.

Note: Multiple occurrences may contribute to a NO CARRIER message; S86 records the first event that occurred.

## NOTES

## Raymar Information Technology, Inc. Limited Warranty

### One Year Limited Hardware Warranty

Raymar Information Technology, Inc., dba Raymar-Telenetics, warrants their products against defects in hardware, material and workmanship under normal use for one (1) year from the date of purchase. Raymar will, at no charge, either repair the product (with new or reconditioned parts), or replace it (with a new or reconditioned product). Repaired replacement products are warranted for either 90 days or the remainder of the original warranty period, whichever is longer. This warranty extends to the original end-user only.

### What This Warranty Does Not Cover

This warranty does not cover: (a) software; (b) installation or service of the product; (c) conditions resulting from consumer damage such as improper maintenance or misuse, abuse, accident or alteration; (d) all plastic surfaces (including display screens) and all other exposed parts that are scratched or damaged due to normal use; (e) operation of our products with equipment not supplied by Raymar (f) products which have had the serial number removed or made illegible; or (g) products rented to others. This warranty applies only to hardware products manufactured by or for Raymar Information Technology, Inc. and identified by the Raymar-Telenetics trademark, trade name or product identification logo affixed to them. Refer to the Service and Support section of the User's Guide for service after the warranty expires. No warranty is made as to coverage availability or grade of service provided by the carrier.

### General Provisions

This warranty sets forth Raymar's entire hardware responsibilities regarding this product. Repair, replacement or refund of the purchase price is at Raymar's discretion. THIS WARRANTY IS GIVEN IN LIEU OF ALL OTHER EXPRESS WARRANTIES, IMPLIED WARRANTIES, INCLUDING WITHOUT LIMITATION IMPLIED WARRANTIES OF MERCHANTABILITY AND FITNESS FOR A PARTICULAR PURPOSE, AND ARE LIMITED TO THE DURATION OF THIS LIMITED WARRANTY. IN NO EVENT SHALL RAYMAR BE LIABLE FOR DAMAGES IN EXCESS OF THE PURCHASE PRICE OF THE PRODUCT, FOR ANY LOSS OF USE, LOSS OF TIME, INCONVENIENCE, COMMERCIAL LOSS, LOST PROFITS OR SAVINGS, OR OTHER INCIDENTAL, SPECIAL OR CONSEQUENTIAL DAMAGES ARISING OUT OF THE USE OR INABILITY TO USE THIS RAYMAR PRODUCT, TO THE FULL EXTENT SUCH MAY BE DISCLAIMED BY LAW. WITHOUT LIMITING THE FOREGOING, RAYMAR SHALL HAVE NO LIABILITY FOR ANY DATA STORED IN OR USED WITH THE PRODUCT, INCLUDING THE RECOVERY COSTS OF SUCH DATA OR PROGRAMS.

### State Law Rights

SOME STATES DO NOT ALLOW THE EXCLUSION OR LIMITATION OF INCIDENTAL OR CONSEQUENTIAL DAMAGES OR LIMITATIONS ON HOW LONG AN IMPLIED WARRANTY LASTS. THE ABOVE LIMITATIONS OR EXCLUSIONS MAY NOT APPLY TO YOU. This warranty gives you specific legal rights, and you may also have other rights which vary from State to State.

### Provincial Law Rights

SOME PROVINCIAL LAWS DO NOT ALLOW THE EXCLUSION OR LIMITATION OF IMPLIED WARRANTIES, THE EXCLUSION OR LIMITATION OF WARRANTY COVERAGE IN CERTAIN SITUATIONS. SOME OF THE ABOVE LIMITATIONS OR EXCLUSIONS CONTAINED IN THIS LIMITED WARRANTY MAY NOT APPLY TO YOU. This warranty gives you specific rights, and you may have other rights which vary from province to province.

### How To Use Raymar's Limited Warranty Service

To take advantage of this warranty, you must do the following:

- If you are having trouble with your product, contact Raymar service using the appropriate number from the Service and Support section of the User's Guide. If it is determined that your product requires service, you will be issued a Return Materials Authorization (RMA) form.
- Pack the defective product securely for shipping. Include only the units pre-approved by service on your RMA form.
- This warranty is void if the product is damaged in transit, you must insure your shipment.
- Ship the defective product, proof of date of purchase, and the RMA form to the address specified.
- Display your RMA number prominently on the outside of the shipping box. Customer is responsible for freight in, door to door. Raymar is responsible for return shipping costs.
- To ensure prompt service, please write on the RMA form a brief description of the problem you are experiencing with the product.

Raymar Information Technology, Inc.

7325 Roseville Road

Sacramento, CA 95842

Service Hotline (800) 747-1522

<http://support.telenetics.com> or e-mail to [techsupport@raymarinc.com](mailto:techsupport@raymarinc.com)

## **Raymar Information Technology, Inc. Return Merchandise Authorization (RMA) Procedure**

Before returning any Raymar-Telenetics product, an RMA number must be obtained.

The most convenient way to obtain an RMA number for a product purchased from Raymar-Telenetics is to call **1-800-747-1522 (+1-916-783-1951)**. When doing so, please have the following information ready:

- Company name
- Full billing address, as well as the address for the location where the product should be returned once repaired or replaced
- Telephone & Fax numbers
- Email address
- Product model number and serial number

For each item being returned, please include the product model number, the serial number, a description of the problem being encountered, and the cause of the problem (if known).

Please note that prior to authorizing a return, a product support specialist may call to verify that the product is properly installed or may ask you to perform tests to insure that the product has actually failed.

The product must be properly packed and returned to:

**Raymar-Telenetics  
7325 Roseville Road  
Sacramento, CA 95842**

The RMA number must be legibly displayed on the shipping carton. Raymar-Telenetics will not be responsible for any product returned without an RMA number.

If the product is out of warranty, estimates for repair rates and any applicable shipping costs will be communicated by a customer service representative. Currently, Raymar-Telenetics accepts purchase orders or credit cards as payment methods.

Repairs currently require 5 – 10 business days and are returned via UPS Ground.