

# I-POINT LASER

## Mouse & Keyboard Remote Control For Mac And PC



Varatouch Technology Inc. (VTI) is one of the world's leading suppliers of state-of-the-art remote controls and pointing systems. Thousands of public speakers, educators, trainers, computer users, display presenters, information technology managers and multimedia creators use **I-Point Laser** every day.

VTI's I-Point Laser is a programmable hand-held remote control that lets you execute both mouse and keyboard commands up to 80 feet away from your computer. Our system uses the most advanced infrared pointing technology available that has been recently improved to eliminate any interference problems with the new generation of fluorescent lights being installed nationwide.

The I-Point Laser supports all LCD panels, video projectors and monitors as well as virtually all software. We also provide pass-thru connectors that keep your regular mouse active too!

Depend on VTI's I-Point Laser to give your next speech, lecture or presentation the superior, high-tech advantage it deserves. When you want the world's best programmable remote control, use the I-Point Laser.

### Product Description

VTI's **I-Point Laser** features the company's patented I-Point™ input and pointing technology; a versatile, 360-degree miniature joystick mouse control with exceptional on-screen performance that also extends battery



life nearly three times longer than other pointing devices.

Our infrared remote control is a fully programmable system featuring an ergonomic, 18-button layout, backlit keypad and built-in laser pointer\* that can highlight data up to 300 feet away. The I-Point Laser comes in PC or Mac formats and includes an IR receiver, pass-thru connector, driver software that lets you program up to 32 keystrokes per button, instruction guide, batteries and a zippered carrying case. A remote control with no laser is also available.

### ProShow Software Bonus

Each **I-Point Laser** comes with ProShow, a "must have" program for all presenters and public speakers. This incredibly useful utility software can customize your computer presentation by adding a company logo, flash on-screen coffee break timers, insert black-out screens or display any bitmap image.

*When you want the  
world's best programmable  
remote control  
for your Mac or PC,  
depend on VTI's  
**I-Point Laser.***

On screen, ProShow keeps you in command, letting you add bullets, underline key points, zoom in on data and even circle words or images. Best of all, ProShow is **free** with every I-Point Laser purchase!

### Key Features

- Proven, ergonomic design
- Fully programmable
- Patented, I-Point™ mouse control
- 80-foot range w/30-degree angle
- Extended battery life
- Laser pointer reaches 300 feet
- Backlit keys
- Improved IR carrier frequency
- Pass-thru connector & adapter
- 3 AAA batteries
- Zippered carrying case
- User software and instructions
- Free ProShow bonus software
- One-year warranty

—continued▶

*The Power of Simplicity*™

## Specifications & Performance

Emitters: Dual IR; 80-foot range with 30-degree angle  
Power Source: 3 AAA batteries  
Compatibility: PC or Mac  
Laser Pointer: Genuine 670 nanometer wavelength, 4.5 mWatt class IIIa light laser\*  
Battery life: 6 months normal usage; 80 hours of continuous joystick deflection  
Receiver: IR receiver with coiled 4-foot cable; Pass-thru connector for mouse; and PS/2 adapters (for PC model)  
I-Point: 7.25" (185mm) X 2.10" (54) X 1" (25.4) weighs about 5 oz (140g)  
Receiver: 1.32" (34mm) X 2.45" (62) X 2.15" (55) weighs about 4 oz (112g)  
IR Carrier Frequency: 56.8 KHz eliminates interference with new fluorescent lights

## System Requirements

PC: Windows 3x, '95, '98 or NT  
386 processor with 4 megs RAM, or higher  
Serial or PS/2 port  
Mac: OS 7.0 or higher; ADB port



## Price & Ordering Info

Whether you order I-Point or the **I-Point Laser**, VTI's products are competitively priced and offer you the best value for your remote control purchase. Please call us at (916) 783-1951, or (800) 695-1952 for more information or for the name and number of the dealer nearest you. VTI welcomes all OEM inquiries. Be sure to visit our website for the latest product news and information at:

[www.raymarinc.com](http://www.raymarinc.com)

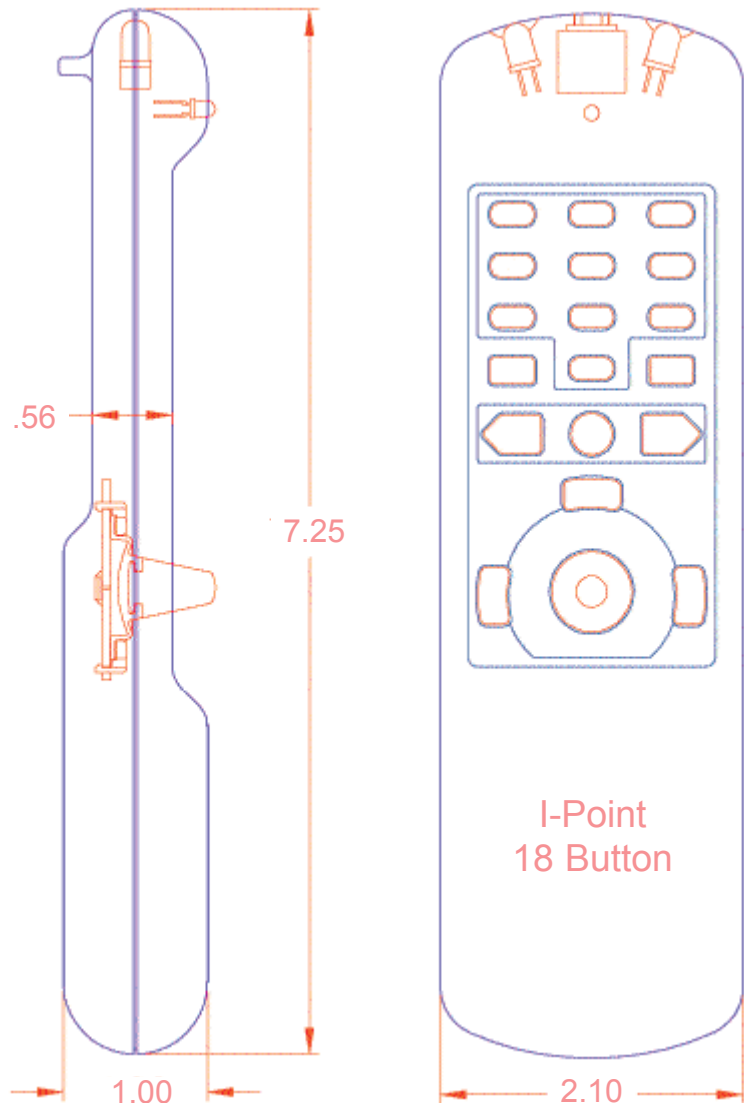
## Free Technical Support

VTI provides its valued customers with free technical support to answer questions and provide solutions to maximize your I-Point system. Technical support is available 8 a.m. to 5 p.m., PST, Monday - Friday.

**VTI's I-Point controls are "the most intuitive and easy-to-use infrared devices we tested."**

**--PC Magazine**

**"The Road Warrior's Arsenal & Presenter's Toolkit"  
Cover Story, May 6, 1997**



**NOTICE: Laser pointers emit laser beam lightwave radiation. Avoid direct eye exposure. Lasers are not toys and some K-12 schools may not allow students to possess and/or use lasers. Children should use laser pointers only under adult supervision or with parental permission. VTI advocates the responsible use for all lasers and is not responsible for any inappropriate use or illegal application of the I-Point Laser.**

**\*Laser covered under 90-day warranty only.**