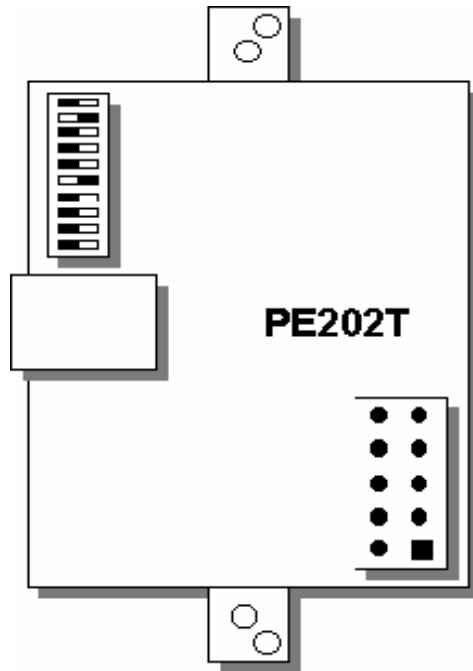


Telenetics



Installation, Operation & Diagnostics

for the

PE202T-S

Pony Express Modem Module

Telenetics

Telenetics Corporation

26772 Vista Terrace Drive
Lake Forest, California 92630
(949)455-4000
Fax (949)455-4010

TABLE of CONTENTS

1. STANDARDS	Page 2
2. PRODUCT OVERVIEW	Page 3
3. GENERAL PRODUCT SPECIFICATIONS	Page 4
4. MODEM SPECIFICATIONS	Page 5
5. ANALOG LINE SPECIFICATIONS.....	Page 7
6. ANALOG MICROWAVE SPECIFICATIONS.....	Page 8
7. CONNECTOR PIN-OUTS.....	Page 10
8. DIP SWITCH FUNCTIONS	Page 11
9. MODEM CONFIGURATION	Page 13
10. OUTLINE DRAWING.....	Page 14
11. DIAGNOSTICS.....	Page 15

1. STANDARDS

Meets FCC Rules Part J, Subpart 15, Class A for radiated emissions.

2. PRODUCT OVERVIEW

The PE202T Modem Module is an industrial grade Bell 202T modem for connection to unconditioned and conditioned, voice grade, type 3002 two or four-wire leased lines and metallic conductors (eg; pilot wires). It is powered from 5.5 to 9VDC unregulated or +5VDC regulated, is surge protected on the analog and digital connections, and will operate in temperatures from -40 to +85 deg C.

The PE202T module is supplied to OEMs for integration into relays, controllers, RTUs, etc. The data interface can be either RS232 or TTL.

The PE202T is also at the heart of all Telenetics Bell 202T end-user products such as the MIU202T standalone modem and the Myriad MDR/PE202T rack mount modem bank.

3. GENERAL PRODUCT SPECIFICATIONS

Dimensions: See Section 10

Voltage Supply, Data Interface & Current Requirements:

Model No.	Voltage	Data Interface	Current
PE202T-N0	+5.5 to 9VDC	RS232	47 mA
PE202T-N1	+5.5 to 9VDC	TTL	28 mA
PE202T-N2	+5VDC \pm 5%	RS232	47 mA
PE202T-N4	+5VDC \pm 5%	TTL	28 mA

Surge Protection: Analog Line: 3.75kVAC
Digital Line: ESD \pm 10kV

Operating Temperature: -40 to +85 deg C

Operating Humidity: 0 to 90% (non-condensing.)

Storage Temperature: -55 to 100 deg C

4. MODEM SPECIFICATIONS

Modulation:	Bell202T
Modulation Type:	FSK
Synch/Async:	Synchronous or Asynchronous
Data Rate:	0 – 1200bps
Transmit Frequency:	Mark: 1200Hz Space: 2200Hz
Error Correction:	None
Data Compression:	None
Data Modulation Connectivity:	Using 16ms Polling Test

99.999% or better at -37dBm
99.5% or better at -40dBm
95% or better at -43dBm

Serial Formats and Flow Control:

Synchronous or Asynchronous and RTS/CTS flow control

Analog Interface

Tx Output Level:	-0 dBm or -10 dBm *
Rx Sensitivity:	-43dBm or -33dBm * -43dBm for constant carrier -40dBm for polling carrier
Line Termination:	Dip Switch Selectable *
Line Impedance:	600 ohms balanced
2 or 4 Wire Configuration:	Dip Switch Selectable *

Other Features

Receiver Equalization:	Compromise Equalization
Self Test Diagnostics:	None
Local Analog Loopback:	See Section 13
Local Digital Loopback:	See Section 13
Remote Analog Loopback	See Section 13
Remote Digital Loopback	See Section 13
Anti-Streaming:	OFF or 45 Seconds (± 5 sec) *
RTS/CTS delay:	1ms, 12ms, 35ms or 50ms ($\pm 5\%$) *
	Note: Soft Carrier will affect RTS/CTS delay time (see Dip Switch Settings ~ Section 9)
Constant Carrier	Switch Selectable ON or OFF *
Soft Carrier Turn Off	20ms of 900Hz after RTS is turned Off
Carrier Turn ON/OFF	8ms ± 0.5 ms

* Dip Switch Selectable ~ See Section 9

5. ANALOG LINE SPECIFICATIONS

The PE202T contains analog circuitry for connection to the public conditioned or unconditioned, Bell type 3002, 2 or 4-wire, full duplex voice grade or metallic lines (eg; pilot wires). The PE202T will also interface to Power Line Carrier or Microwave radio voice channel networks.

The PE202T has an RJ-11 terminated connector. The following lists the PE202T analog interfaces

Analog Line Type:

Conditioned or unconditioned, Bell type 3002, 2 or 4-wire, full duplex voice grade or metallic lines or better.

Analog Line Specifications:

Bandwidth	300 Hz to 3400 Hz (± 3 dB)
Impedance	600 / 900 ohms , balanced
Frequency Response	400 to 3000Hz (± 2 dB)
Receiver Input Level	-16dBm max.
Output Level	+7 dBm
Noise Signal Level	-48 dBmO

6. ANALOG MICROWAVE INTERFACE

The PE202T is designed to interface to a Microwave radio voice channel network with the following specifications:

Phase Jitter (10 to 300Hz) 1 degree peak-to-peak, max.

Frequency Response: 300 - 3400Hz -3, +0.7 dB
 400 - 3000Hz -1, +0.7 dB
 600 - 2400Hz \pm 0.7 dB

Frequency Stability: With Synchronization 0.1Hz
 Without Synchronization 0.5 Hz / month

Level Stability (w/o regulation): \pm 0.5 dB (6 months)

Harmonic Distortion: 1% max, 0.3 % typical
 (1Khz, 0 dBmO test tone)

Absolute Delay: Option – 001: 1500 μ sec, maximum
 Option – 002: 1900 μ sec, maximum

Group Delay (option - 001): 600 - 3200 Hz 1200 μ sec, maximum
 800 - 2800 Hz 550 μ sec, maximum
 1000-2600 Hz 350 μ sec, maximum

Group Delay (option - 002): 600 - 3200 Hz with 1000 μ sec, maximum
 800 - 2800 Hz with 400 μ sec, maximum
 1000-2600 Hz with 180 μ sec, maximum

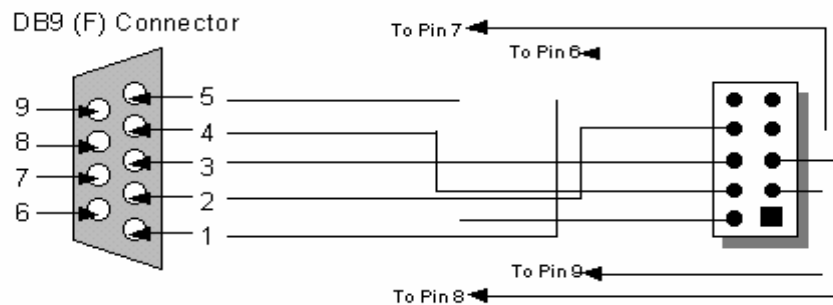
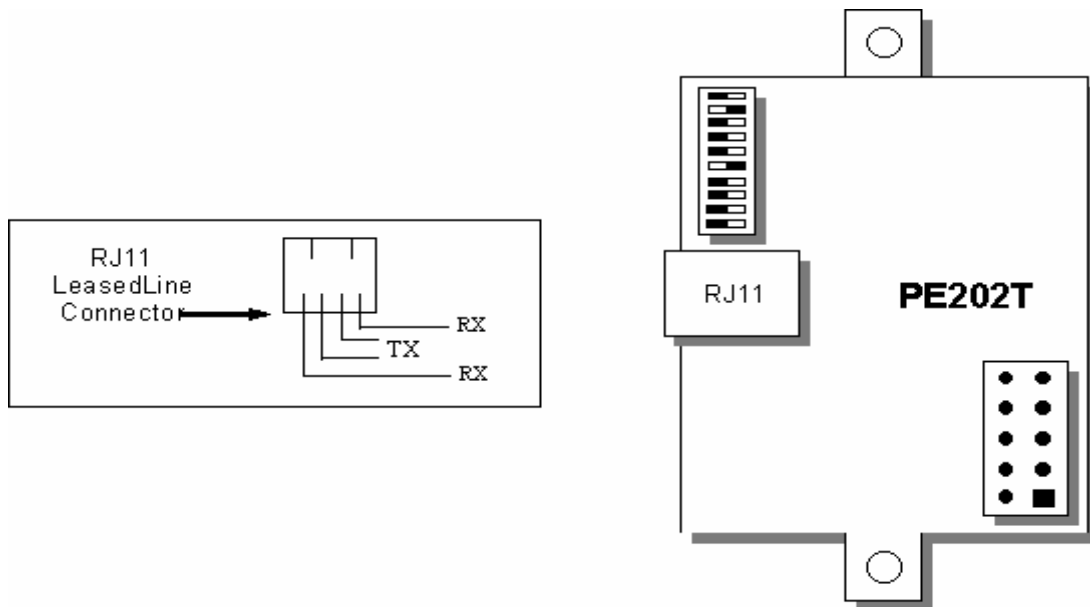
Linearity: 0.3 dB +3.5 dBmO

Limiting: +7.5dBmO, max (+6.5 dBmO typical)
 for +20dBmO input

Crosstalk (intelligible)(1KhZ test tone at 0 dBmO):
Inter-channel 65 dBmO maximum, 80 dBmO typical
Intra-channel 70 dBmO maximum

Crosstalk (unintelligible):	
Adjacent channel	28dBrc0 maximum (24 455B weighted noise at 0 dBmO dBrc0 typical).
Intra-channel	28 dBrc0, maximum (18 dBrc0, typical) (1KHz test tone at 0 dBmO)
Out of Band Signalling:	Frequency 3825 Hz Level -20 dBmO Pulse speed (30 to 80% break) 8 to 14 pps Pulse distortion ± 3 dB, level var. 3% max. Signaling leak -60 dBmO, maximum

7. CONNECTOR PIN-OUTS



For Sync mode Connect Pin11(RxClk) to DB9-5 and Pin 12(TxClk) to DB9-2

Connecting Power to your PE202T

The DC supply voltage is connected to Pins 1 & 6 of the 10-pin header. With your PE evaluation unit you have a ribbon cable to connect the header to a DB9 connector. The two flying leads are connected to header Pins 1 & 6 for power connection

Pin 11 RxClk	Pin 12 TxClk
Pin 10 CD	Pin 5 DSR
Pin 9 RxD	Pin 4 RTS
Pin 8 TxD	Pin 3 CTS
Pin 7 DTR	Pin 2 RI
Pin 6 Gnd	Pin 1 + Power

8. DIP SWITCH FUNCTIONS



Table 1

Switch	Function	ON	OFF
Switch 1	Transmit Analog (TxA) Signal Level	0 dBm	-10 dBm
Switch 2	Anti-Streaming	45 secs	OFF
Switch 3	Received Analog (RxA) Signal Level	-33 dBm	-43 dBm
Switch 4	RTS/CTS Delay	See Table 2	
Switch 5	RTS/CTS Delay	See Table 2	
Switch 6	Switched/Constant Carrier	Constant Carrier	Switched Carrier (Follows RTS State)
Switch 7	2 or 4- Wire Selection	2-Wire	4-Wire
Switch 8	Line Termination	600 ohms	None
Switch 9	Soft Carrier (900Hz) Turn Off	ON	OFF
Switch 10	Spare		

Table 2: RTS/CTS Delay Time

2 Wire	4 Wire	Switched Carrier	Constant Carrier	Switch 4	Switch 5	Switch 9 Soft Carrier	RTS/CTS Delay Time
NO	YES	YES	YES	ON	ON	OFF	50 ms
YES	NO	YES	NO	ON	ON	ON	50 ms
NO	YES	YES	NO	ON	ON	ON	50 ms
YES	NO	YES	NO	ON	ON	OFF	50 ms
NO	YES	YES	YES	OFF	ON	OFF	35 ms
NO	YES	YES	NO	OFF	ON	ON	55 ms
YES	NO	YES	NO	OFF	ON	ON	35 ms
YES	NO	YES	NO	OFF	ON	OFF	35 ms
NO	YES	YES	YES	ON	OFF	OFF	12 ms
NO	YES	YES	NO	ON	OFF	ON	35 ms
YES	NO	YES	NO	ON	OFF	ON	12 ms
YES	NO	YES	NO	ON	OFF	OFF	12 ms
NO	YES	NO	YES	OFF	OFF	OFF	1 ms
NO	YES	YES	NO	OFF	OFF	OFF	12 ms
NO	YES	YES	NO	OFF	OFF	ON	32 ms
YES	NO	YES	NO	OFF	OFF	OFF	1 ms
YES	NO	YES	NO	OFF	OFF	ON	1 ms



9. MODEM CONFIGURATION

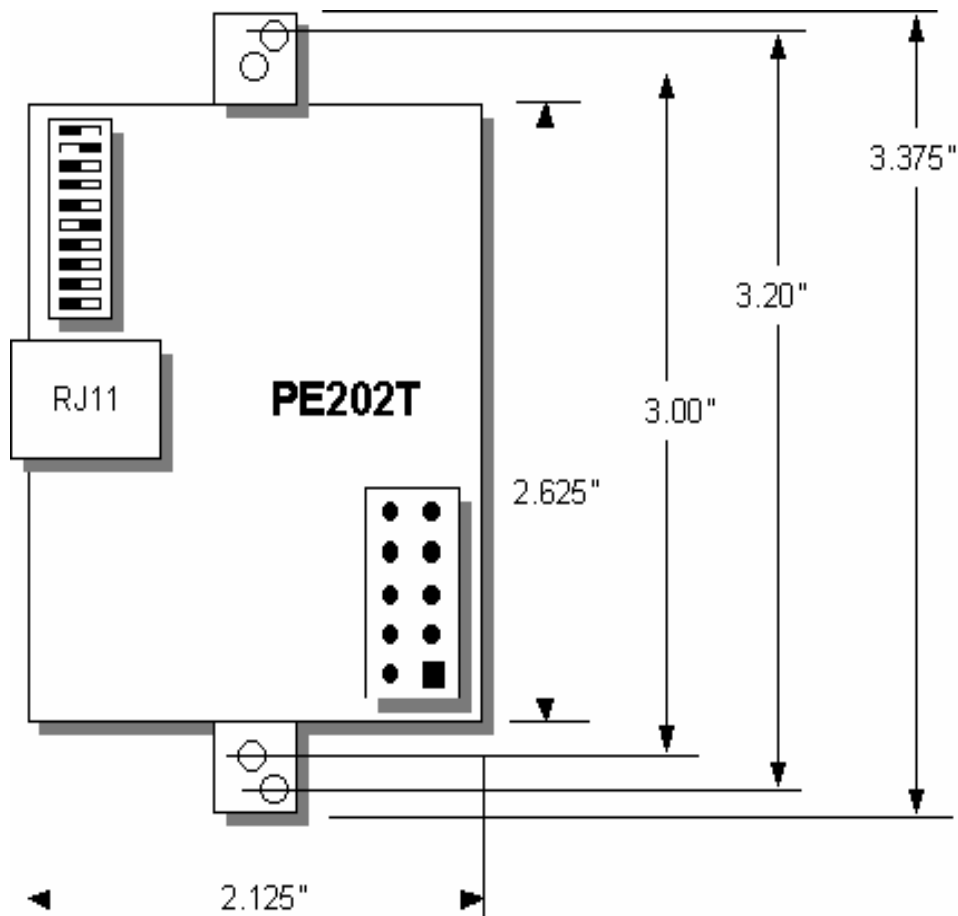
The following table provides the Dip Switch settings required for most modem application configurations:

	Dip Switch Setting								
	1	2	3	4	5	6	7	8	9
4-Wire Point-to-Point	ON		ON			ON		ON	
4-Wire Multi-Point Master	ON		ON			ON		ON	
4-Wire Multi-Point Slave Rx Term. OFF	ON	ON	ON	ON					ON
4-Wire Multi-Point Slave Rx Term. ON	ON	ON	ON	ON				ON	ON
2-Wire Point-to-Point	ON	ON	ON	ON			ON	ON	ON
2-Wire Multi-Point Master Line Term. ON	ON	ON	ON		ON		ON	ON	ON
2-Wire Multi-Point Slave Line Term. ON	ON	ON	ON		ON		ON	ON	ON
2-Wire Multi-Point Slave Line Term. OFF	ON	ON	ON		ON		ON		ON

For clarity, a blank space = OFF



10. OUTLINE DRAWING



11. DIAGNOSTICS

The following pages provide hardware techniques for diagnosing communication problems and thereby isolating the problem at the local modem, the remote modem or the interconnecting line.

(a) LOCAL ANALOG LOOPBACK (Figure 2)

Requires a loop back cable with a built-in circuit for line loss to simulate a typical leased line condition (See Figure 3).

Connect the loop back cable to the RJ11 connector on the modem under test.

Set Dip Switches as follows...

Switch 7 = OFF	4-Wire
Switch 9 = ON	Soft Carrier Turn Off Enabled
Switch 1 = ON	Transmit (TxA) Signal Level = 0dBm
Switch 3 = ON	Receive (RxA) Signal Level = -33dBm
Switch 6 = OFF	Switched Carrier
Switch 4&5 = ON	RTS/CTS Delay = 50ms

Test 1: RTS/CTS Analog Control

Set RTS "ON" and check that CD (Carrier Detect) turns "ON".

Turn RTS "OFF" and ensure that CD turns "OFF"

With RTS "ON", run a test message at TxD and verify that the same message is received at RxD with no data errors.

Test 2: Transmit Signal Power & Receive Levels

Set Dip Switch 1 OFF (TxA = -10dBm)

CD will be OFF.

Change Dip Switch 1 to ON (TxA = 0dBm)

CD should now be ON.

Test 3: Received Signal Level

Set Dip Switch 1 OFF (TxA = -10dBm) and Dip Switch 3 OFF (RxA = -43dBm).

CD will be ON.

Run a test message at TxD and verify that the same message is received at RxD with no data errors.

Test 4: Repeat Test 3 for various RTS/CTS delay times and with soft carrier ON and OFF.

(b) LOCAL DIGITAL LOOPBACK – 4/Wire Network (Figure 4)

On the modem under test, connect TxD to RxD

Switch 1 = ON (TxA = 0dBm)
Switch 3 = ON (RxA = -33dBm)
Switch 4 = OFF (RTS/CTS = 35ms)
Switch 5 = ON (RTS/CTS = 35ms)
Switch 6 = ON (Constant Carrier mode).
Switch 7 = OFF (4-Wire)
Switch 8 = ON (Line Termination = 600 ohms)
Switch 9 = ON (Soft Carrier = ON)

Transmit a test message from a remote modem and confirm that the same message is received back at RxD on the remote modem with no data errors.

PE202T-S pin outs

1 Power +5.5 to 9.0V DC	7 DTR
2 RI (not used on PE202T-S)	8 TxD
3 CTS	9 RxD
4 RTS	10 Carrier Detect
5 DSR	11 RxClk
6 Signal/Digital Ground	12 TxClk

(c) REMOTE DIGITAL LOOPBACK – 4/Wire Network (Figure 5)

Configure both the local and remote modems as follows:

- Switch 1 = ON (TxA = 0dBm)
- Switch 3 = ON (RxA = -33dBm)
- Switch 4 = OFF (RTS/CTS = 35ms)
- Switch 5 = ON (RTS/CTS = 35ms)
- Switch 6 = ON (Constant Carrier mode).
- Switch 7 = OFF (4-Wire)
- Switch 8 = ON (Line Termination = 600 ohms)
- Switch 9 = ON (Soft Carrier Turn Off = ON)

Connect TxD to RxD at the remote modem.

Transmit a test message from the local modem and confirm that the same message is received back at RxD on the local modem with no data errors.

(d) LINE DIAGNOSTICS

(i) Typical modem configuration for **4-wire Point-to-Point** system...

Switch 1 = ON (TxA = 0dBm)
Switch 3 = ON (RxA = -33dBm)
Switch 4 = OFF (RTS/CTS = 1ms)
Switch 5 = OFF (RTS/CTS = 1ms)
Switch 6 = ON (Constant Carrier mode).
Switch 7 = OFF (4-Wire)
Switch 8 = ON (Line Termination = 600 ohms)
Switch 9 = OFF (Soft Carrier = OFF)

(ii) Typical modem configuration for **4-wire Multi-Point** system...

Switch 1 = ON (TxA = 0dBm)
Switch 3 = ON (RxA = -33dBm)
Switch 4 = OFF (RTS/CTS = 1ms)
Switch 5 = OFF (RTS/CTS = 1ms)
Switch 6 = ON (Constant Carrier mode).
Switch 7 = OFF (4-Wire)
Switch 8 = ON (Line Termination = 600 ohms)
Switch 9 = OFF (Soft Carrier = OFF)

Adjustments...

In a network with high line loss (greater than 16dB) change Switch 3 (RxA) to OFF (-43dBm).

If there are conditions that can cause cross-talk (TxA leaking into RxA path) set Switch 1 (TxA) to OFF (-10dBm).

Note that noise level should be -50dBm or lower for most FSK operation (signal-to-noise ratio of 15dB or higher)

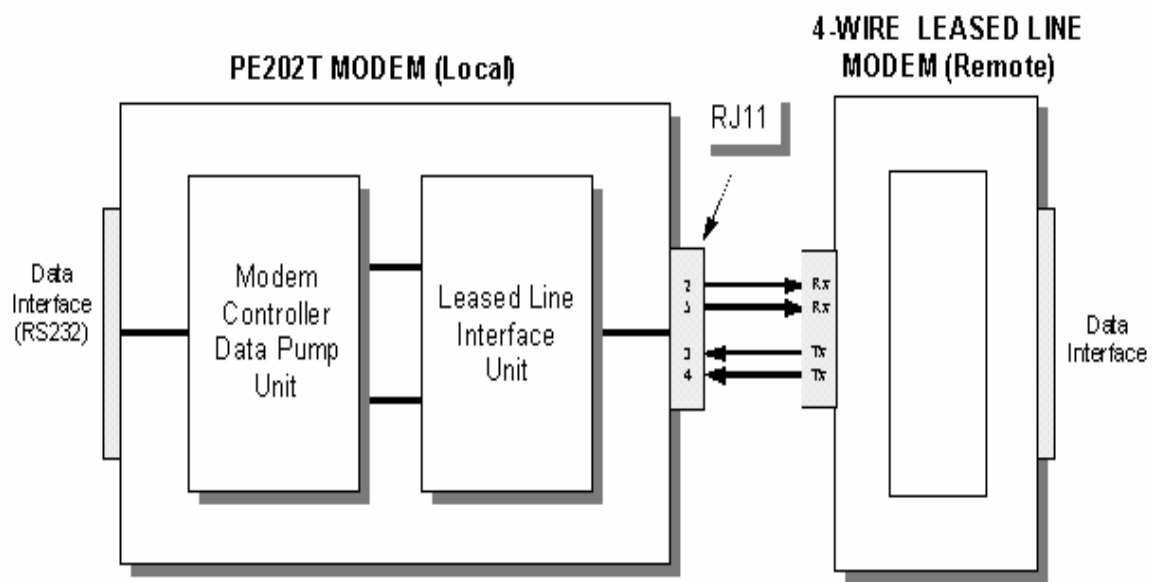


Figure 1 TYPICAL 4-WIRE LEASED LINE MODEM CONFIGURATION

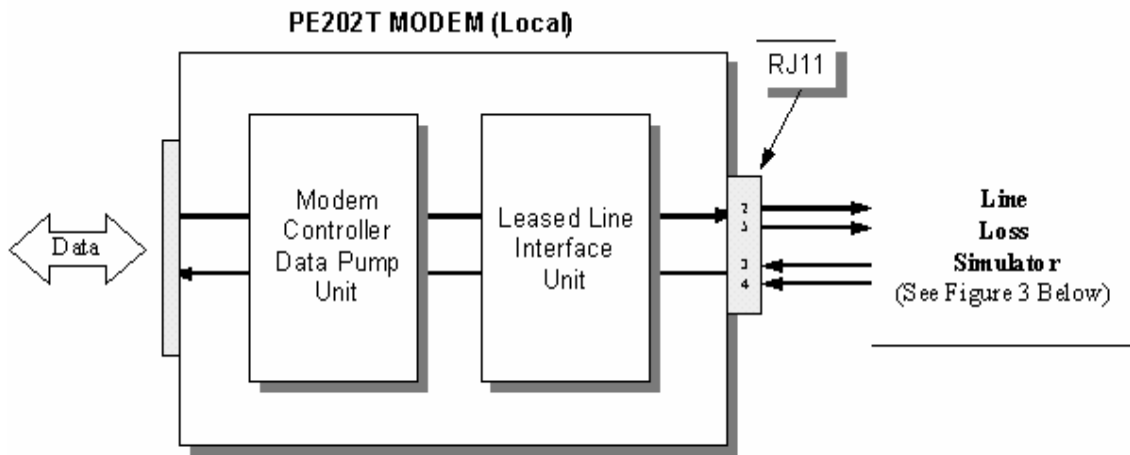


Figure 2 LOCAL ANALOG LOOPBACK

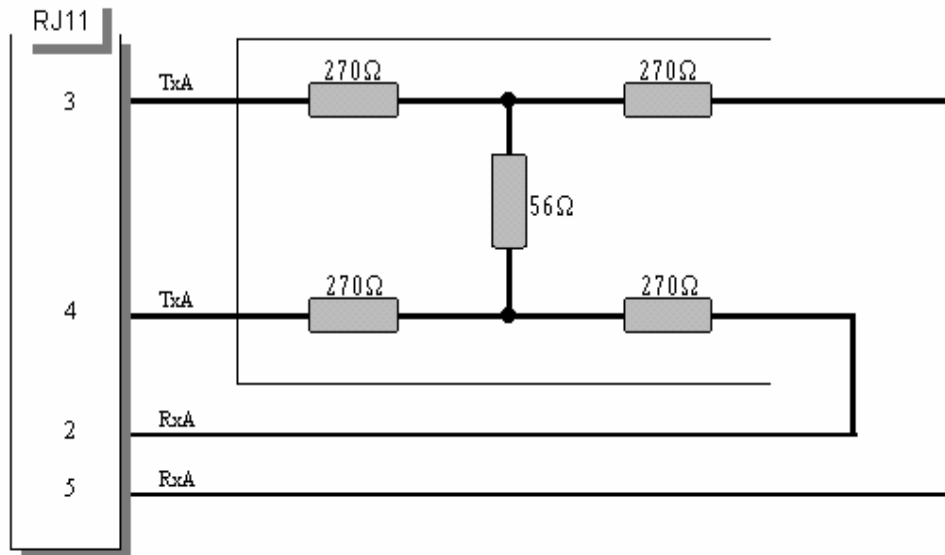


Figure 3 LINE LOSS SIMULATOR (Approx. -26dB)

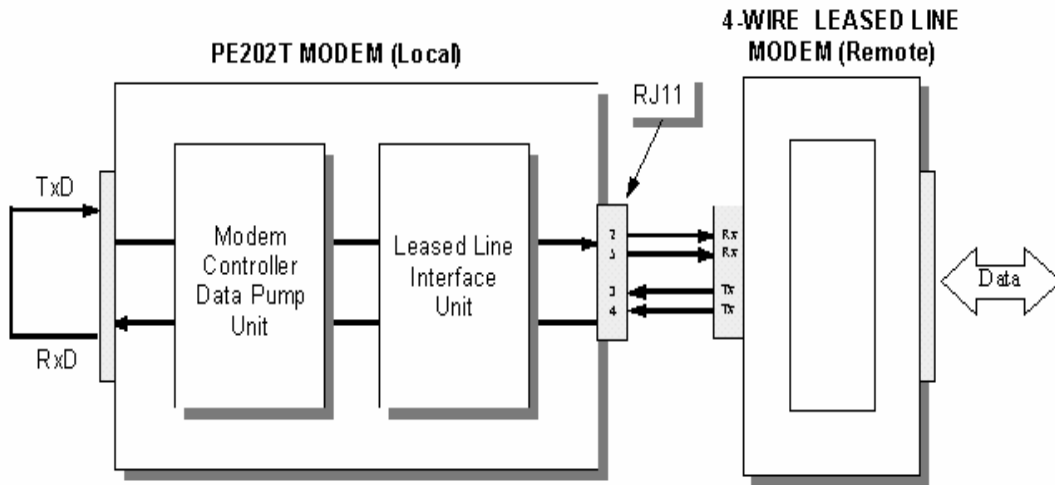


Figure 4 LOCAL DIGITAL LOOPBACK

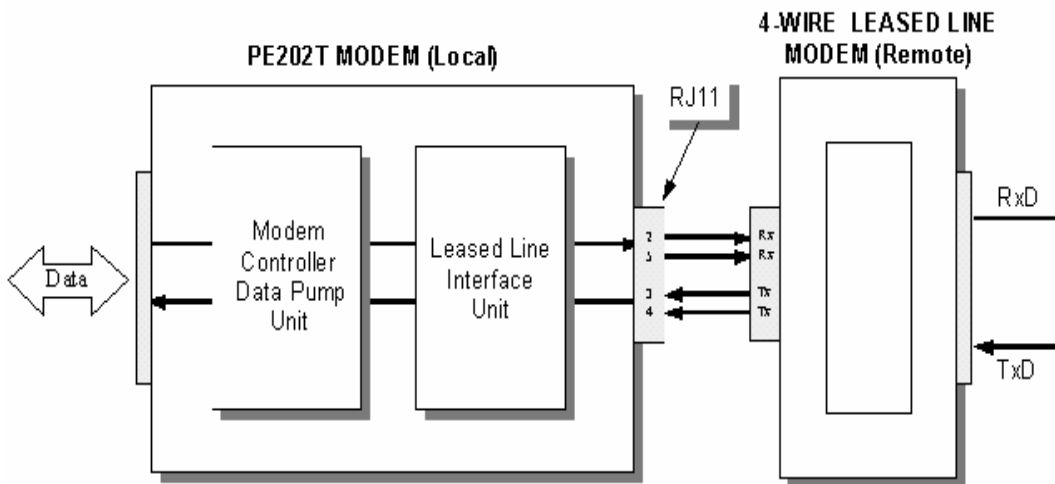


Figure 5 REMOTE DIGITAL LOOPBACK

NOTES: